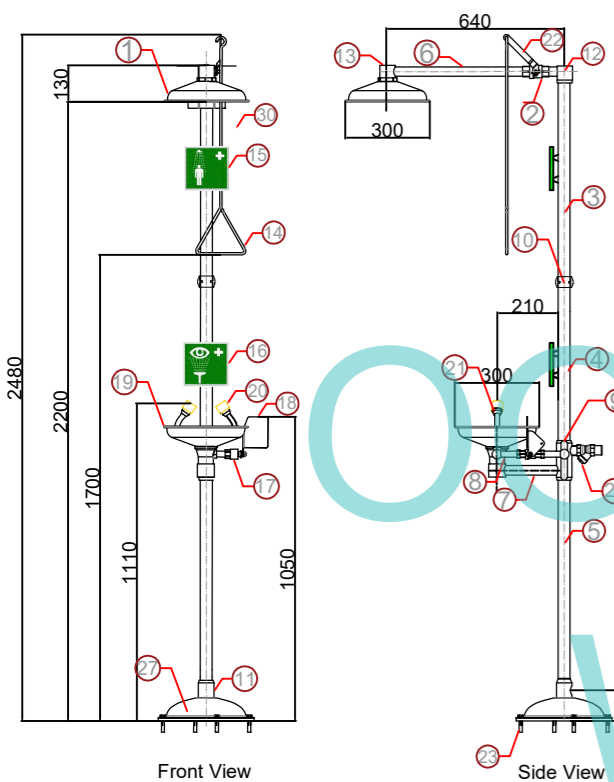




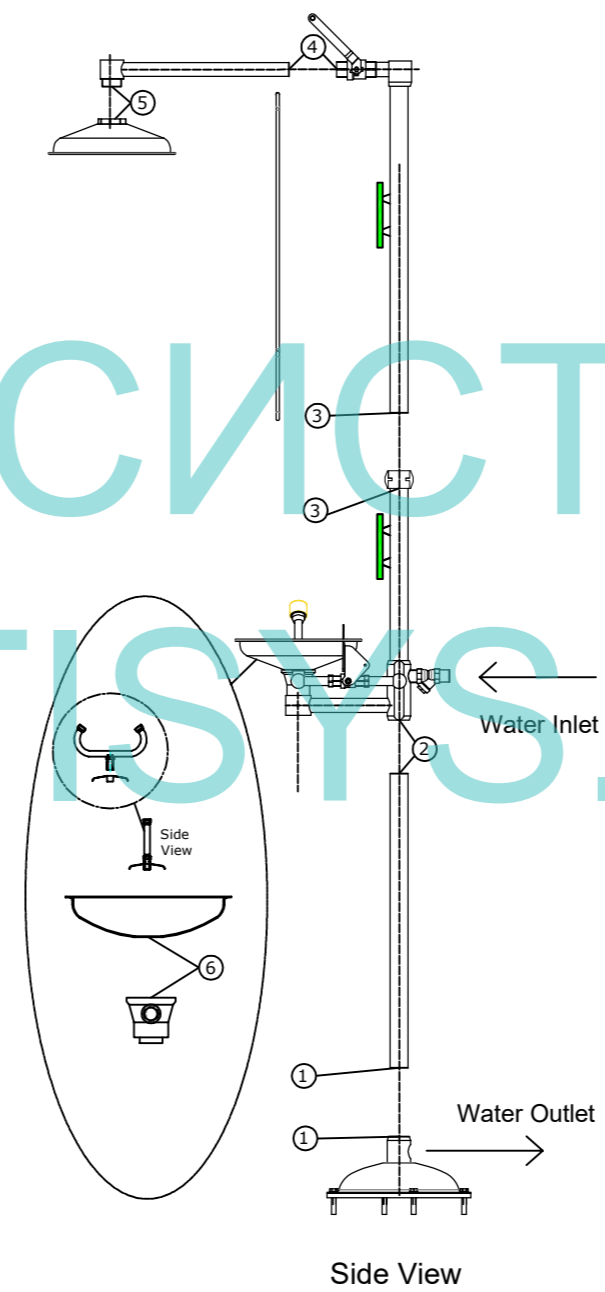
# İŞÇİ SAĞLIĞI TEÇHİZATI

## 15031000 Technical Drawings

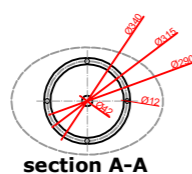
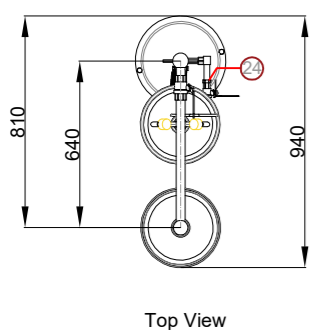
DOCUMENT NO	TC.02.002
REVISION NO	00
REVISION DATE	--
RELEASE DATE	30.06.2021



NO.	DESCRIPTION	MATERIAL
25	1" Filter	Brass
24	1/2" Ball Valve for eye/face wash	Stainless Steel 304
23	M10x45 Hole in Bolt(4 piece)	Stainless Steel 304
22	1" Valve Handle	Stainless Steel 304
21	Spray Nozzles	Brass
20	Dust Cover on Eyewash Spray	Plastic
19	Eyewash Bowl	Stainless Steel 304
18	Push Handle Control for Eyewash	Stainless Steel 304
17	Eye/face corner connection	Stainless Steel 304
16	Eye/face wash sign	Phosphorus
15	Emergency shower sign	Phosphorus
14	Pull Rod control for shower	Stainless Steel 304
13	Shower Head Fitting	Stainless Steel 304
12	Top Corner Fitting	Stainless Steel 304
11	1" Water Outlet (Female)	Stainless Steel 304
10	Middle connection	Stainless Steel 304
9	Main Connection fitting	Stainless Steel 304
8	1/2" 85 mm pipe	Stainless Steel 304
7	1" 220 mm pipe	Stainless Steel 304
6	1" 500 mm pipe	Stainless Steel 304
5	1 1/4" 740 mm pipe	Stainless Steel 304
4	1 1/4" 590 mm pipe	Stainless Steel 304
3	1 1/4" 660 mm pipe	Stainless Steel 304
2	1" Ball Valve	Stainless Steel 304
1	Shower head Bowl (Ø300mm)	Stainless Steel 304



- Screw number 1 pieces together. (1-1)
- Screw number 2 pieces together. (2-2)
- Screw number 3 pieces together. (3-3)
- Screw number 4 pieces together. (4-4)
- Screw number 5 pieces together. (5-5)
- Eyewash dish screwed to low and (6-6), eyewash screwed on the middle of the eyewash dish and connected completely. Spray nozzles must be to run parallel with person who see in front of shower.
- Please use impermeability teflon bands at pipe connection points
- The shower which is finished assembly is connected pedestal by 4 holes that are on pedestal connecting part. For the connecting could use M10x45 hole in anchor bolt steel plugs.
- The shower can directly connected to water network by 1" water inlet.
- You can drain the waste water by connecting a suitable 1" diameter pipe or hose to the waste water outlet.



**Floor Flange**

NOT: The Emergency shower is mounted on the floor with 4 M10x45 hole in bolts and dowels.  
 Bolts and dowels will be sent with the product.  
 - 4 piece hole in anchor bolts  
 - 4 piece dowels

Standards: EN 15154-1-2  
 ANSI/ISEA Z358.1-2014  
 Water Flow: 75,7 lt / min for Shower  
 11,4 lt / min for eye/face wash  
 Total Weight: 21,6 kgs  
 Packed Dimensions: 35x83x21 cm

Static test pressure : 7 bar  
 Min using pressure : 1,4 bar  
 Max using pressure : 2,8 bar

	REV. DATE	DESCRIPTION	DESIGNED	CHECKED	APPROVED	SIZE	SCALE	PRODUCT
	A					A4	1/100	ISTEC TYPE ESW EMERGENCY SHOWER AND EYE/FACE WASH
FOR INFORMATION <input type="checkbox"/> FOR REVIEW <input type="checkbox"/> FOR APPROVAL <input type="checkbox"/>	FOR RFO/DESIGN <input checked="" type="checkbox"/>	ORIGINAL EDITION DESIGNED <input checked="" type="checkbox"/> CHECKED <input checked="" type="checkbox"/> APPROVED <input checked="" type="checkbox"/>	SS FA ST	CE 1783 TSE Ex PG CLASSIFIED UL LISTED ANSI	DRAWING NUMBER/DATE: 420/16-1	SHEET: 1 OF: 1	DRAWING NAME: 15031000	

PREPARED	APPROVED
EMRAH ATLI	SERDAR TÜRKUÇAR